

GKN SERIES

SNAP-IN MOUNTING HIGH PERFORMANCE IEC CONNECTOR FILTERS

INTRODUCTIONS

1. Specially designed with additional X capacitor providing most effective EMI suppression for low frequency noise (ranged 150KHz-500KHz).
2. Bleeder resistor can be added with suffix "-R" on part numbers.
3. With optional Y capacitor from 100pF to 3300pF.
4. All part numbers are UL recognized, CSA certified and VDE approved.

COMPONENTS

| PART NO. | L (mH) | Cx (uF) | Cy (pF) |
|-------------------|--------|---------|---------|
| 03GKNG3E/03GKNW3E | 3.1 | 0.1 | 2200 |
| 06GKNG3E/06GKNW3E | 1.2 | 0.1 | |
| 10GKNG3E/10GKNW3E | 0.36 | 0.1 | |

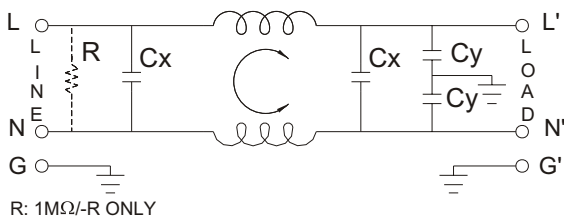
• VDE approved to 9A/250V

MINIMUM INSERTION LOSS IN dB

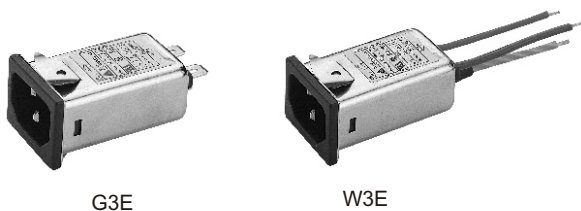
| PART NO. | COMMON MODE (L-G) IN 50 OHM SYSTEM | | | | | |
|-------------------|------------------------------------|-----|-----|-----|----|----|
| | FREQUENCY-MHz | | | | | |
| | .15 | .50 | 1.0 | 5.0 | 10 | 30 |
| 03GKNG3E/03GKNW3E | 20 | 25 | 30 | 40 | 40 | 50 |
| 06GKNG3E/06GKNW3E | 12 | 20 | 25 | 35 | 45 | 45 |
| 10GKNG3E/10GKNW3E | 7 | 10 | 15 | 30 | 35 | 50 |

| PART NO. | DIFFERENTIAL MODE (L-L) IN 50 OHM SYSTEM | | | | | |
|-------------------|--|----|----|----|----|----|
| | 03GKNG3E/03GKNW3E | 5 | 25 | 50 | 55 | 53 |
| 06GKNG3E/06GKNW3E | 7 | 20 | 35 | 50 | 50 | 40 |
| 10GKNG3E/10GKNW3E | 7 | 9 | 25 | 50 | 45 | 35 |

ELECTRICAL SCHEMATIC



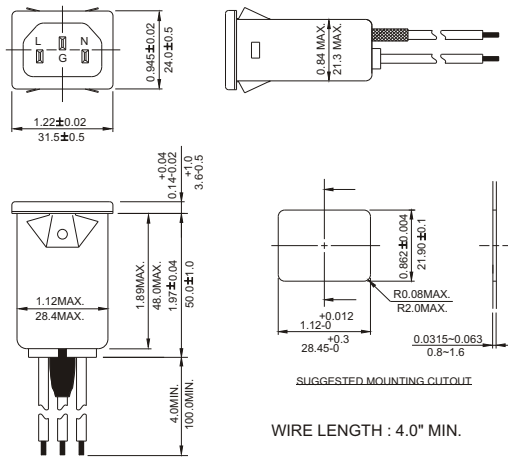
MECHANICAL CONSTRUCTION



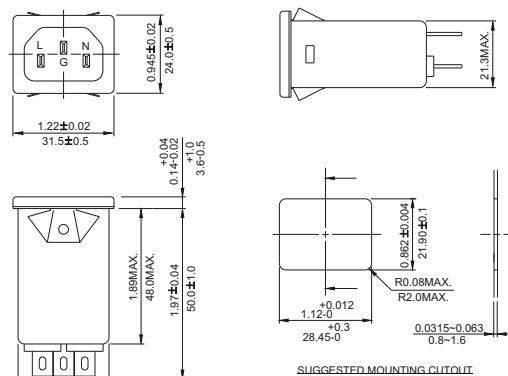
SPECIFICATIONS

1. Maximum leakage current each line-to-ground @ 115VAC 60Hz: 0.2mA @ 250VAC 50Hz: 0.4mA
2. Hipot rating (one minute) line-to-ground: 2250VDC line-to-line: 1450VDC
3. Operating frequency: 50/60Hz
4. Rated voltage: 115/250VAC

Suggested thickness of mounting panel is from 0.0315 (0.8) to 0.063 (1.6) inch(mm) of mounting cutout



W3E



G3E

UNIT: INCH/mm